



# Capabilities Presentation



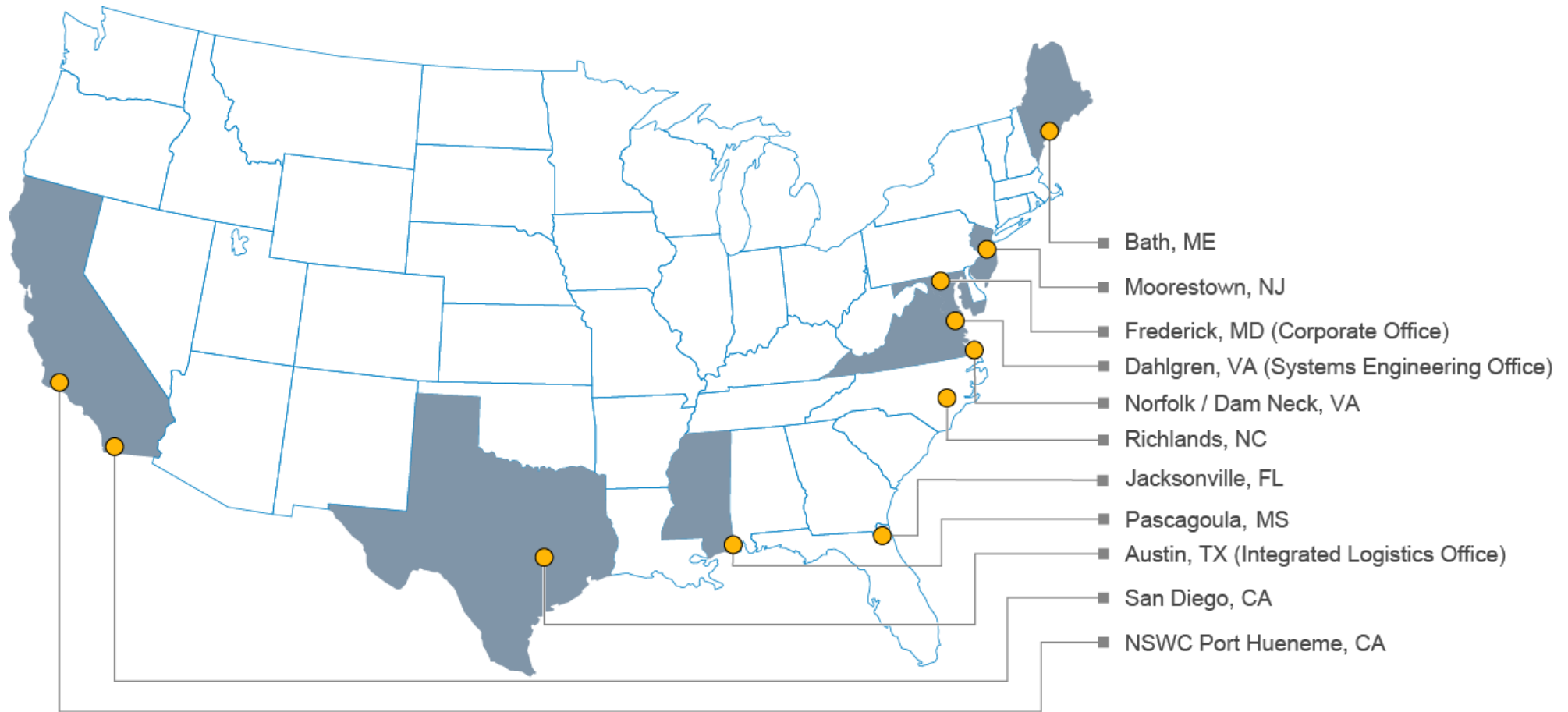
# CORPORATE PROFILE

---

- Established in 1977
- Small Business (FAR subpart 19.001)
- Over 300 Professional Staff Members
  
- DUNS Number – 094744138
- Cage Code – 1W582
- Primary NAICS  
(541330, 541511, 541512, 541513, 541519)



# SCCI LOCATIONS



# CUSTOMERS

---

## Naval Sea Systems Command (NAVSEA)

- Naval Surface Warfare Center Dahlgren Division (NSWCDD)
  - Warfare Systems (A, B, H, E, V & R) Departments
- Naval Surface Warfare Center Port Hueneme Division (NSWCPHD)
  - Littoral and Strike Warfare Department
- PEO Integrated Warfare Systems (IWS)



NAV AIR



## Naval Air Systems Command (NAVAIR)

- PEO (U&W) Unmanned Aviation & Strike Weapons
  - Tomahawk Weapon System (PMA-280)
- Naval Air Warfare Center – Training Support Division (NAWC-TSD)

# CUSTOMERS

---

## Project Manager Mission Command (PMMC)

- Program Executive Office Command Control Communications – Tactical (PEOC3T)
  - Command Post Computing Environment
  - Fire Support Command and Control
  - Joint Battle Command – Platform
  - Strategic Mission Command
  - Tactical Digital Media
  - Tactical Mission Command

## Naval Education and Training Command (NETC)

- Naval Personnel Development Command (NPDC)
  - Center for Surface Combat Systems (CSCS)

## Space and Naval Warfare Systems Command (SPAWAR)

- Command and Control Systems (PMW150)



# TECHNICAL CAPABILITIES

---

## Engineering and Technology



Systems Engineering



Configuration Management



Information Management Systems



Cybersecurity



Surface Ship Training Support

## Integrated Logistics Services



Instructor-Led Training



Interactive Multimedia Instruction



Interactive Electronic Technical Manuals

# QUALIFYING EXPERIENCE ENGINEERING AND TECHNOLOGY

---



# SYSTEMS ENGINEERING

---

## Requirements

- Perform requirements assessments, analyze system architecture, system behavioral modeling, functional analysis, functional flows, functional description, and system interfaces and interoperability
- Generate, update, and maintain Integrated Master Schedules (IMSS) for the supported programs

## Design Engineering

- Analysis, refinement, and development of mathematical algorithms and software tools develop hardware and software designs
- Generate and deliver design data for design models, drawings, specifications, and interface control documents to support engineering decisions

## Testing

- Engineering studies, plans, and related documents to include trade-off assignments, test or exercise plans and reports, and performance and effectiveness improvement studies
- Prepare test documentation such as test requirements, test plans, test reports, and test schedules



# SYSTEMS ENGINEERING – CONTINUED

---

## Documentation Management

- Develop reports, publications, technical notes, and concept papers
- Develop and produce presentations in support of systems engineering efforts

## System Training

- Development of a training curriculum (e.g. software and documentation)
- Address training issues and architecture

## Data Management

- System requirements tracing from high-level specifications through design, code, and test

# CONFIGURATION MANAGEMENT

---

- System Configuration Management (CM)
- CM Management (CMM)
- Configuration Identification
- Change Control
- Configuration Audits
- Configuration Status Accounting
- Engineering Data Management
  - Configuration Documentation Administration
  - Tools Expertise

*Providing an Enterprise Configuration Management solution to multiple Navy programs*



# CYBERSECURITY

---

- Risk Management Framework (RMF)
  - Assessment and Authorization Processing (Afloat and Shore-Based)
    - System Categorization and Registration
    - Control Selection and Implementation
    - Security Assessment and Testing
    - Validation Services
    - Authorization Package Development
      - eMASS Registration and Management
      - Risk Assessment Report (RAR)
      - Security Assessment Report (SAR)
      - Plan of Actions and Milestones (POA&M)
    - Continuous Monitoring
      - Vulnerability Analysis and Management
        - Information Assurance Vulnerability Management (IAVM)
        - Vulnerability Remediation Asset Manager (VRAM)
      - Patch Management

*Analyze and mitigate all threats to and from an infrastructure*



# CYBERSECURITY

---

- Security Architecture development
- Cybersecurity Engineering
  - Research and Development
  - Configuration Management
  - Cross-Domain Solution Analysis
  - Security Risk Impact Assessment
- FISMA Analysis and Reporting
- Business Continuity and Disaster Recovery Planning
- Incident Response and Recovery



# INFORMATION MANAGEMENT SYSTEMS

---

## Database Design and Development

- Oracle and SQL expertise
- Business process and information flow analysis
- Data warehousing environments
- Secure web-based front-end

## Data Integration

- Complex data translation and data fusing
- Legacy system migration

## Products

- Advanced Configuration Control and Engineering Status System (ACCESS) for NSWCCD
- Product Data Tracker (PDT) for Tomahawk
- Retrofit Upgrade Installation Database (RUGID) for Tomahawk

## Reporting

- Intuitive user interface design
- Ad-hoc reporting and query tools



# QUALIFYING INTEGRATED LOGISTICS SERVICES

---

28  
YEARS

INSTRUCTOR LED US MILITARY CURRICULUM

21  
YEARS

INSTRUCTOR LED FMS MILITARY CURRICULUM

23  
YEARS

INTERACTIVE MULTIMEDIA INSTRUCTION

25  
YEARS

INTERACTIVE ELECTRONIC TECH MANUALS



# INSTRUCTOR LED TRAINING

---

## Curriculum Development

- Needs assessment
- Instructional media package development

## Instructional Delivery

- Classroom
- Laboratory
- Shipboard
- CSCS Simulators

## Expert Instructors

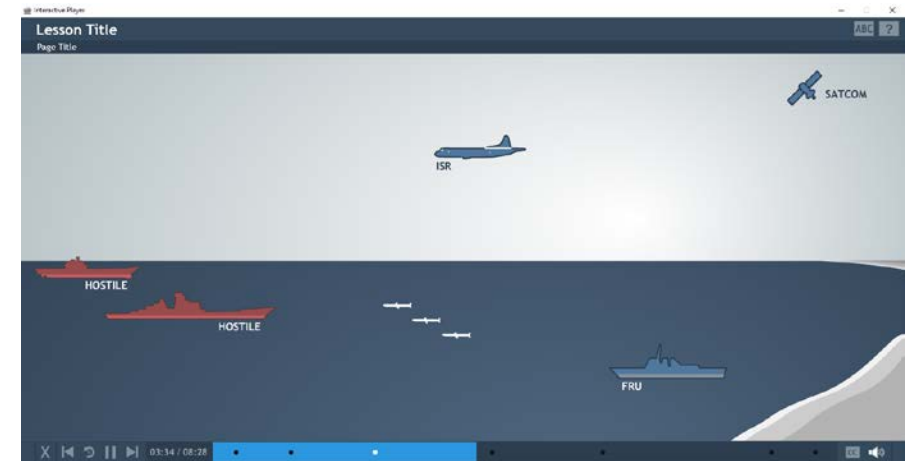
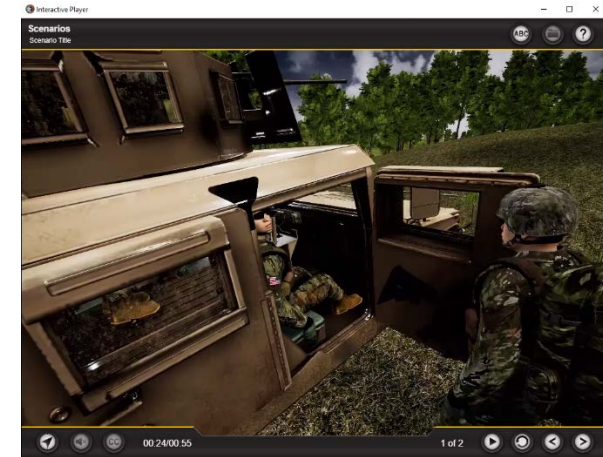
- Degrees in Workforce and Adult Education
- Master Training Specialist designations
- Extensive military experience

*Trained every sailor that has ever fired a Tomahawk  
from a U.S. Surface Ship and UK Submarine*



# INTERACTIVE MULTIMEDIA INSTRUCTION

- Instructional Media Design
  - Front-End Analysis (FEA)
  - Interactive Courseware (ICW)
  - Multimedia Tutorials (MMTs)
- Learning Management Systems
  - Web-based or hosted locally
  - Trainee progress tracking
  - Online reviews
- SCORM Compliant Content
- 508 Compliant Content
- Navy-Marine Corps Intranet (NMC) Compliant Content

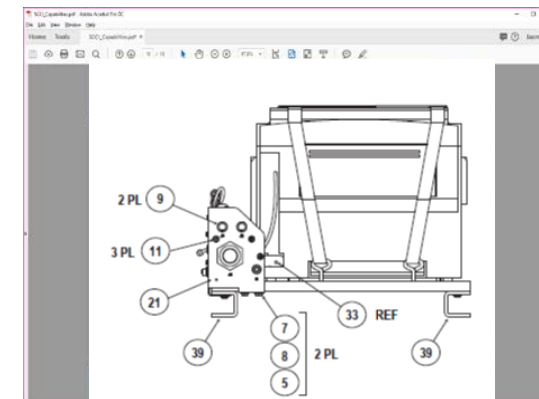
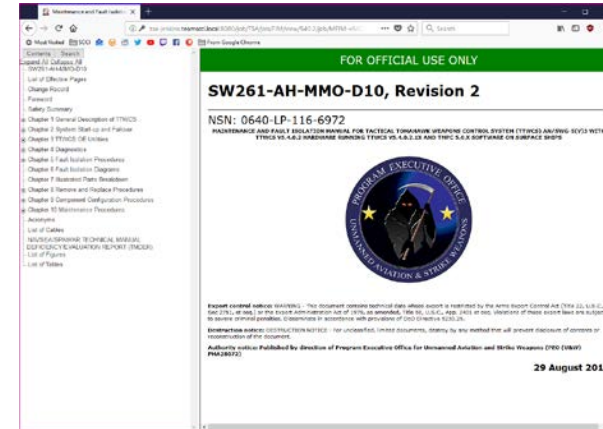


*Develop and maintain IMI for the US Navy Tomahawk Weapons Control System and US Army Project Manager Mission Command*



# INTERACTIVE ELECTRONIC TECH MANUALS

- Source Data Collection and Management
- On-Line and Stand-Alone Electronic Documentation
  - System level documentation, detailed procedures and context sensitive help
- Open Architecture Design
  - HTML/XML
  - Portable to variety of hardware and software platforms
  - Extensive software toolkit
  - Interactive 3D graphics/procedures



# SURFACE SHIP TRAINING SUPPORT

---

## Training Experience

- Aegis Combat Training Systems (ACTS) Scenario Training Media
- Battle Force Tactical Training (BFTT)/ Ship Self Defense-System (SSDS) Scenario Training Media
- Computer Aided Sub-mode Training (CAST)
- Missile Defense Agency (MDA) support

## Training Services

- Provide realistic tactics and operations
- Use simulations based on real-world environments
- Training incorporates the most up-to-date intelligence

## Training Missions

- Include insights and analysis to assist the training team in scenario briefing
- Include complete full watch station scenarios and smaller detect to engage scenarios
- Include exercise controller guide detailing all scenario actions



# CONTRACT VEHICLES

---



NAVSEA SeaPort-e

- o Prime in all seven zones



GSA OASIS



Naval Air Warfare Center –  
Training Development Products



C5 Consortium

# POINTS OF CONTACT

---

## Corporate Office

Frederick, MD (301) 695-5311

**Ed Jackson**  
President

[ejackson@teamscci.com](mailto:ejackson@teamscci.com)

**Mike Fiedler**  
Director of Contracts

[mfielder@teamscci.com](mailto:mfielder@teamscci.com)

## Systems Engineering Division

Dahlgren, VA (540) 644-2200

**Dan Crowl**  
Vice President/Division Manager

[dcrowl@teamscci.com](mailto:dcrowl@teamscci.com)

## Integrated Logistics Services Division

Austin, TX (512) 794-0033

**Al White**  
Division Manager

[alwhite@teamscci.com](mailto:alwhite@teamscci.com)

